

# Product Datasheet

## 029 2-Handled Graduated Beaker



**Product Name:** 2-Handled Graduated Beaker

**Product Code:** 029

**Material Properties:** Virtually unbreakable

**Colours Available:** Available in 5 colours

**Guarantee:** 12 month guarantee





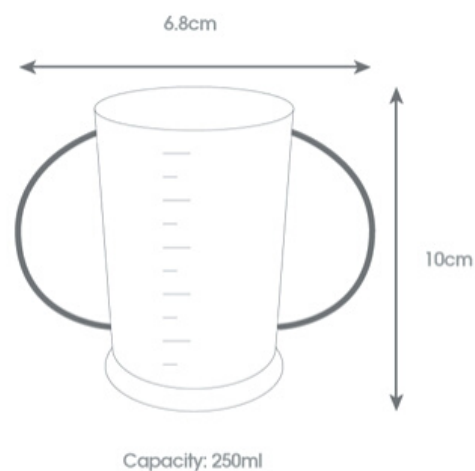
## General Information

<b>Product Group:</b>	Hydration
<b>Material:</b>	Polycarbonate
<b>Material Properties:</b>	Virtually unbreakable, will not splinter or shatter. Lightweight, but very strong. Non porous, dishwasher safe. Microwave safe for reheating drinks.
<b>Product Properties:</b>	Wide, round handles for easy holding, graduated for monitoring fluid intake, 200ml capacity (250ml to the brim)
<b>Colours Available:</b>	Clear, Red, Med Blue, Yellow, Emerald Green
<b>Images Available:</b>	Yes
<b>Lifestyle Image Available:</b>	Yes
<b>Other Products in the Range:</b>	Copolyester version
<b>Complementary Products:</b>	Wide and Narrow Spouts
<b>Guarantee:</b>	12 months subject to fair usage
<b>Uses:</b>	Serving hot and cold drinks, monitoring fluid intake
<b>Suggested Markets:</b>	Education, Care, Horeca



## Technical Information

<b>Height:</b>	10cm
<b>Width:</b>	6.8cm
<b>Length:</b>	
<b>Weight:</b>	67g
<b>Pack Size:</b>	1
<b>Packs per carton:</b>	96
<b>Full carton weight:</b>	7kg
<b>Cartons per layer:</b>	6
<b>Packs per pallet:</b>	2304
<b>Carton size:</b>	(HxWxL) 560x290x400mm
<b>Carton weight:</b>	545g
<b>Plastic Packaging weight:</b>	6g
<b>Safety certificate information:</b>	Compliant with current European Legislation for food contact materials - (Regulation (EU) 10/2011). Safety certificate available on request.
<b>Country of Origin:</b>	UK
<b>Commodity Code:</b>	HS3924100000



Harfield Components Limited  
Hammond Avenue  
Whitehill Industrial Estate  
Stockport. SK4 1PQ. UK  
Tel: +44 (0)161 477 5678  
E-mail: info@harfieldtableware.co.uk

[www.harfieldtableware.co.uk](http://www.harfieldtableware.co.uk)