

Product Datasheet

008 Cereal Bowl



Product Name: Cereal Bowl
Product Code: 008
Material Properties: Virtually unbreakable
Colours Available: Available in 10 colours
Guarantee: 12 month guarantee





General Information

Product Group:	Plates & Bowls
Material:	Polycarbonate
Material Properties:	Virtually unbreakable, will not splinter or shatter. Lightweight, but very strong. Non porous, stain resistant and dishwasher safe if correct detergents and dosages used. Microwave safe for reheating food.
Product Properties:	15cm diameter bowl with no rim ideal for serving cereal, puddings, porridge or soup.
Colours Available:	Apple Green, Champagne, Emerald, Grey Green, Honey, Med Blue, Orange, Red, Summer Blue, White, Yellow
Images Available:	Yes
Lifestyle Image Available:	Yes
Other Products in the Range:	17.3cm Bowl, 15cm Bowl, 12cm Bowl
Complementary Products:	Standard and small cutlery,
Guarantee:	12 months subject to fair usage
Uses:	Cereal, porridge, oatmeal, puddings, soup, etc.
Suggested Markets:	Education, Care, Horeca



Technical Information

Height: 4.5cm

Width: 15cm

Length:

Weight: 62g

Pack Size: 1

Packs per carton: 150

Full carton weight: 10kg

Cartons per layer: 5

Packs per pallet: 6000

Carton size: (HxWxL) 465x313x160mm

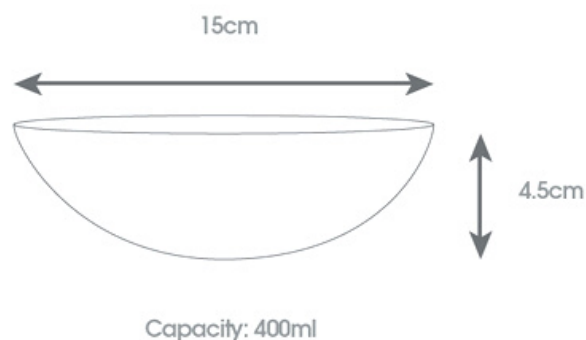
Carton weight: 400g

Plastic Packaging weight: 0g

Safety certificate information: Compliant with current European Legislation for food contact materials - (Regulation (EU) 10/2011). Safety certificate available on request.

Country of Origin: UK

Commodity Code: HS3924100000



Harfield Components Limited
Hammond Avenue
Whitehill Industrial Estate
Stockport. SK4 1PQ. UK
Tel: +44 (0)161 477 5678
E-mail: info@harfieldtableware.co.uk

www.harfieldtableware.co.uk

HARFIELD
QUALITY TABLEWARE SINCE 1961